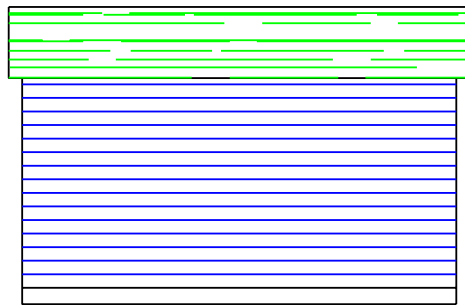
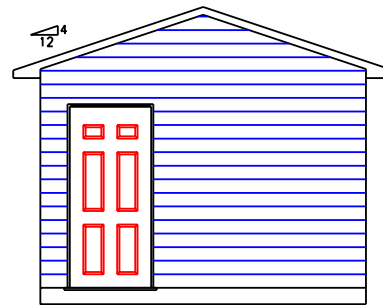


FRONT



BACK



RIGHT SIDE

INDEX	#
ELEVATION	COVER
FLOOR LAYOUT	1
FOUNDATIONS:	
CONCRETE SLAB	2A
WOOD/PEIRS	2B
FLOOR PLAN	3
FLOOR FRAMING	4
ROOF FRAMING	5
DETAILS:	
CROSS SECTION	D1
DOOR/WINDOW FRAMING	D2
MATERIAL LIST	

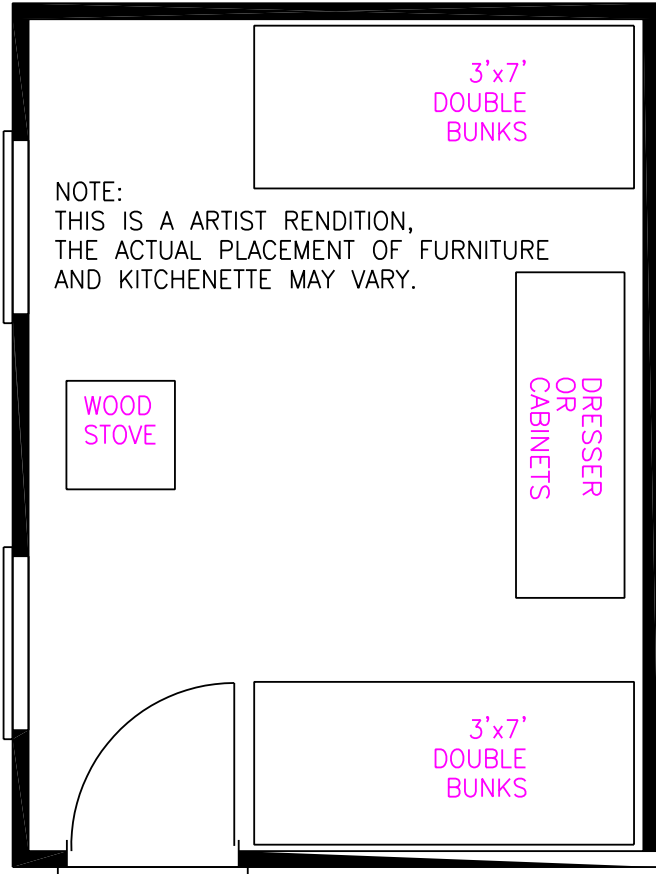
GREENLEAF DESIGNS

7455 GILBERT RD. CASS CITY, MI 48726

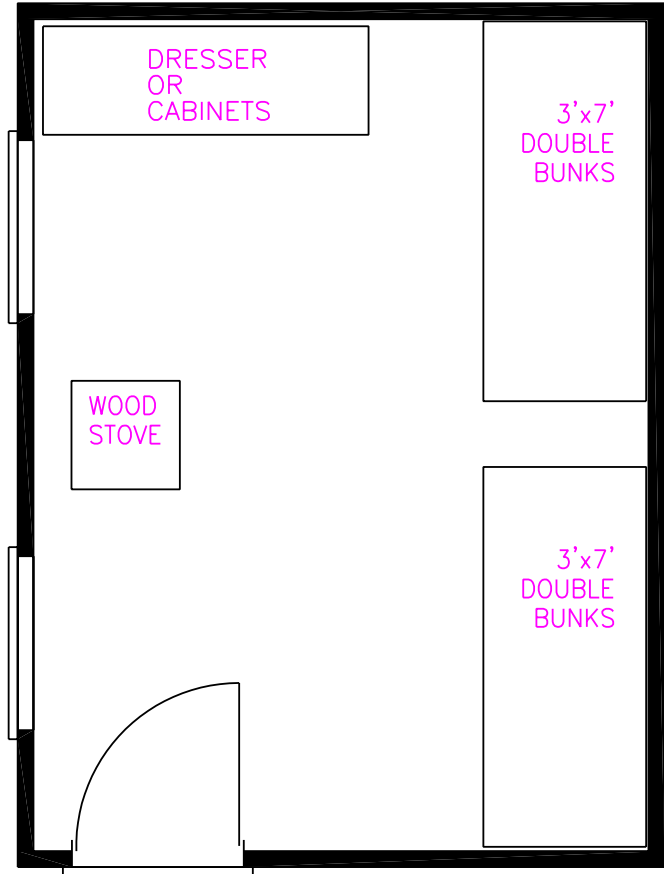
PROJECT NAME:
SAMPLE
12x16 CABIN

DRAWING TITLE:
ELEVATION

DRAWING NO.
COVER



LAYOUT OPTION "A"



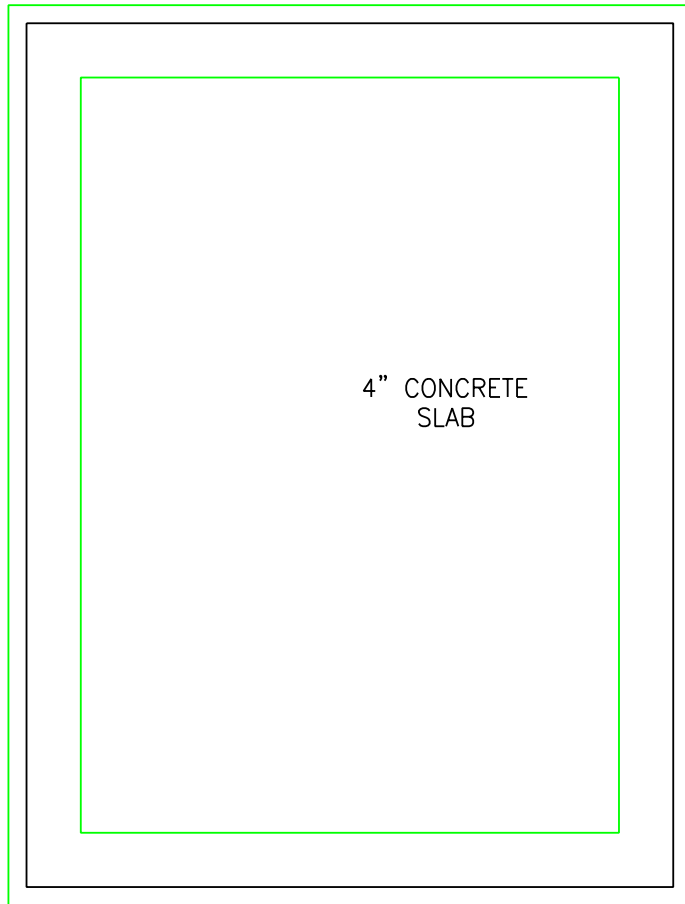
LAYOUT OPTION "B"

GREENLEAF DESIGNS
7455 GILBERT RD. CASS CITY, MI 48726

PROJECT NAME:
SAMPLE
12x16 CABIN

DRAWING TITLE:
FLOOR LAYOUT

DRAWING NO.
1



GENERAL NOTES:

ALL FOOTINGS MUST REST ON SAFE UNDISTURBED EARTH AND BELOW FROSTLINE.

FINISH GRADE DRAINAGE SWALES AROUND AND AWAY FROM BUILDING PERIMETER TO MIN. 5% GRADIENT 1/2" PER FOOT.

FOUNDATION CAN BE POURED CONCRETE SLAB OR CONCRETE BLOCK.

ALL SILL PLATES MUST BE TREATED LUMBER.

CHECK LOCAL BUILDING CODES FOR PROPER FOOTING WIDTH AND DETPTH. IF REQUIRED.

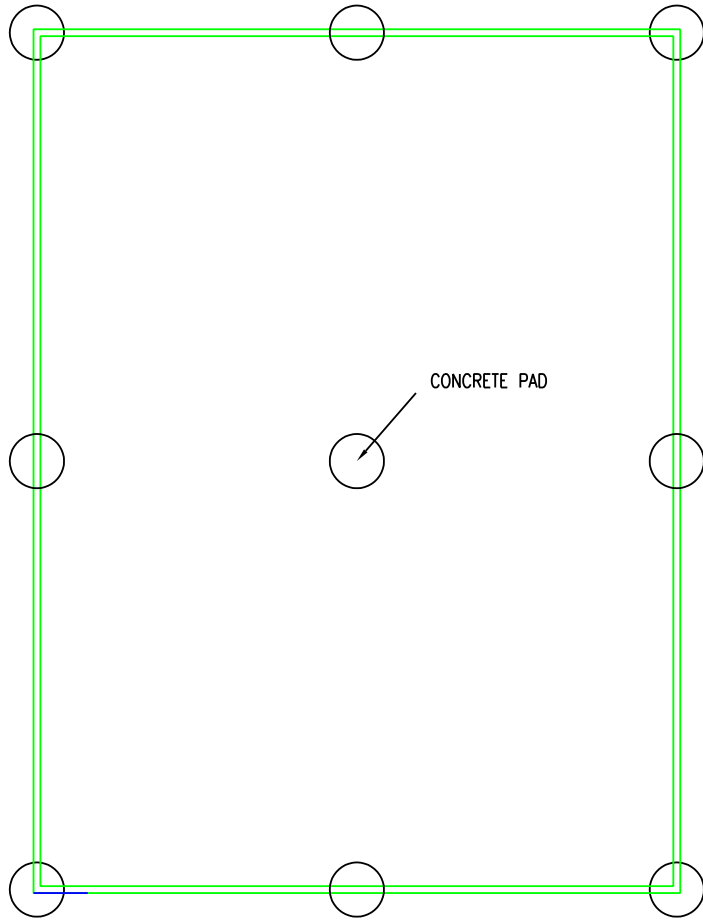
GREENLEAF DESIGNS

7455 GILBERT RD. CASS CITY, MI 48726

PROJECT NAME:
SAMPLE
12x16 CABIN

DRAWING TITLE:
FOUNDATION
CONCRETE SLAB OPTION

DRAWING NO.
2A



NOTES:
CHECK LOCAL BUILDING CODES
FOR PROPER SIZE AND DEPTH.
IF REQUIRED.

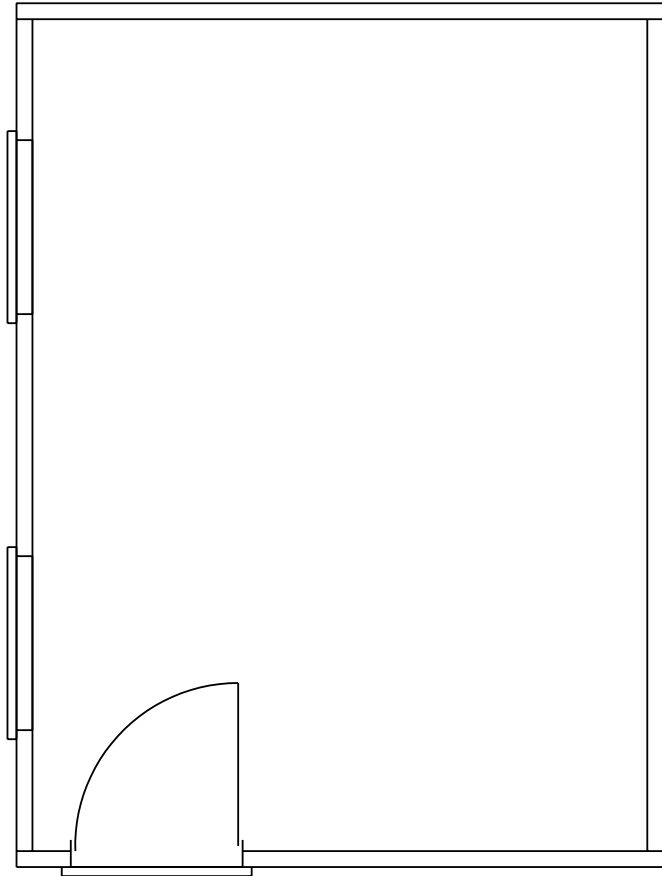
GREENLEAF DESIGNS

7455 GILBERT RD. CASS CITY, MI 48726

PROJECT NAME:
SAMPLE
12x16 CABIN

DRAWING TITLE:
FOUNDATION
WOOD FLOOR OPTION

DRAWING NO.
2B

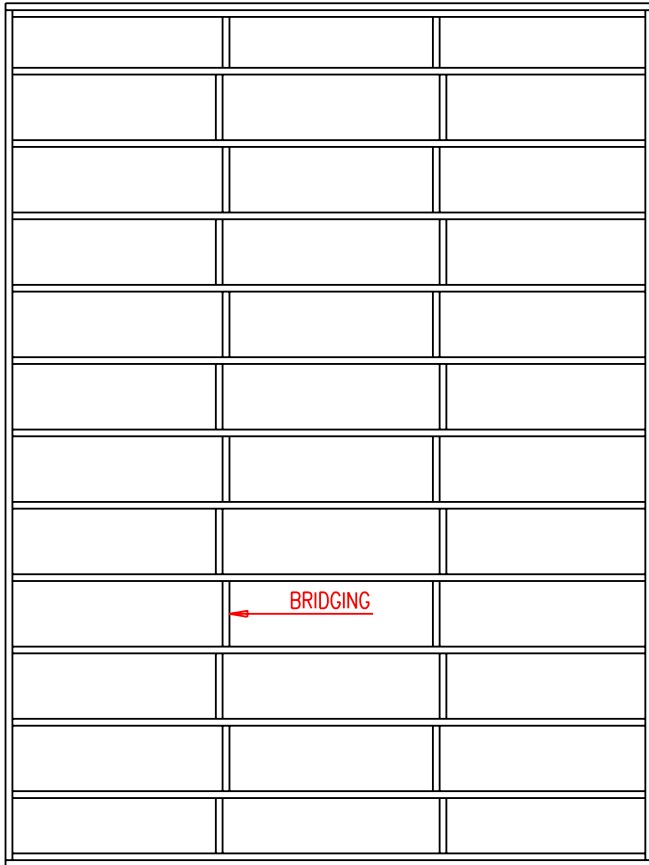


GREENLEAF DESIGNS
7455 GILBERT RD. CASS CITY, MI 48726

PROJECT NAME:
SAMPLE
12x16 CABIN

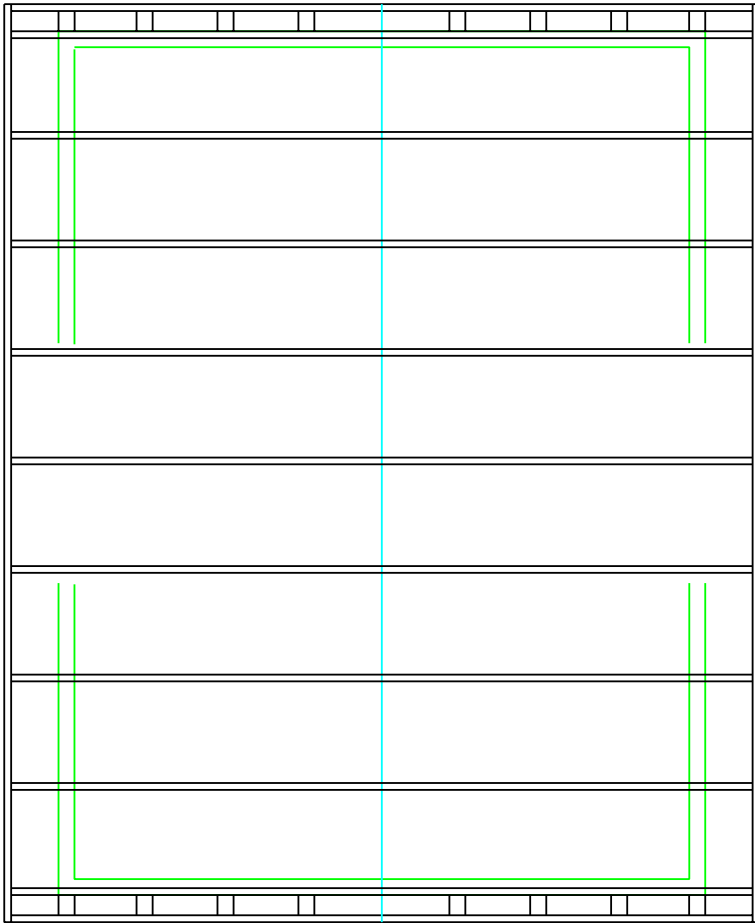
DRAWING TITLE:
FLOOR PLAN

DRAWING NO.
4



NOTES:
BRIDGING TO BE PLACED BETWEEN JOISTS AT EVEN SPACED INTERVALS.
PLACE 6 mil. PLASTIC BETWEEN GROUND AND JOISTS, AS A MOISTURE BARRIER.
JOISTS ARE SPACED 16" ON CENTER.

GREENLEAF DESIGNS 7455 GILBERT RD. CASS CITY, MI 48726	PROJECT NAME: SAMPLE 12x16 CABIN	DRAWING TITLE: FLOOR FRAMING	DRAWING NO. 3
--	--	---------------------------------	------------------

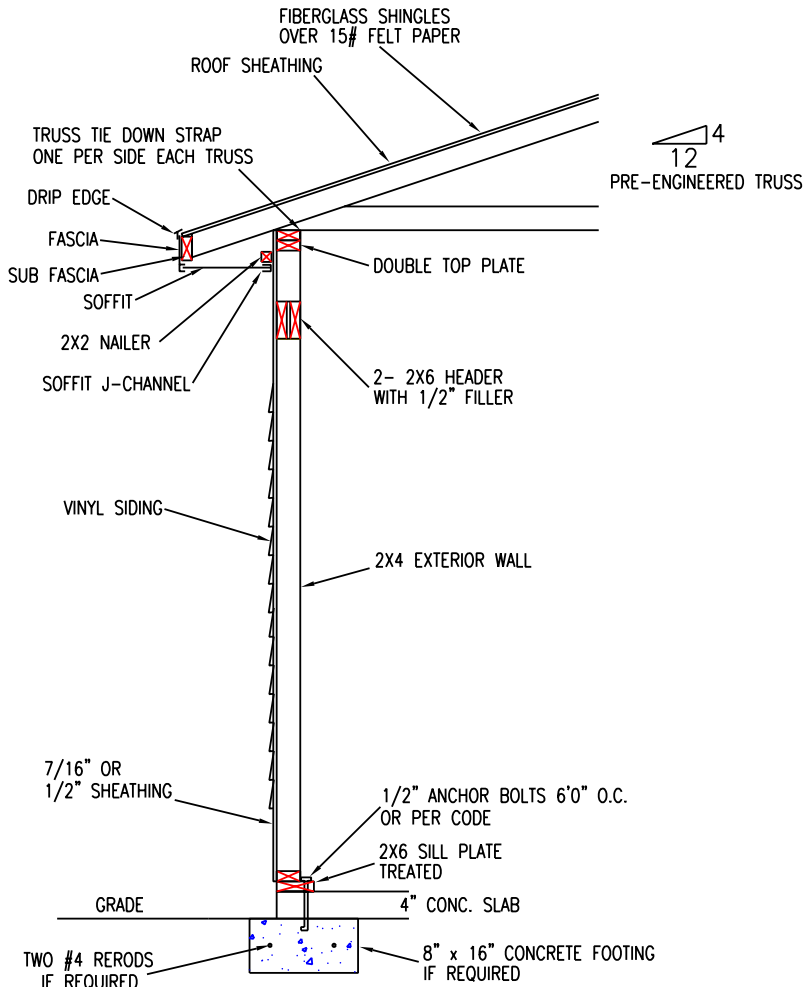


GREENLEAF DESIGNS
7455 GILBERT RD. CASS CITY, MI 48726

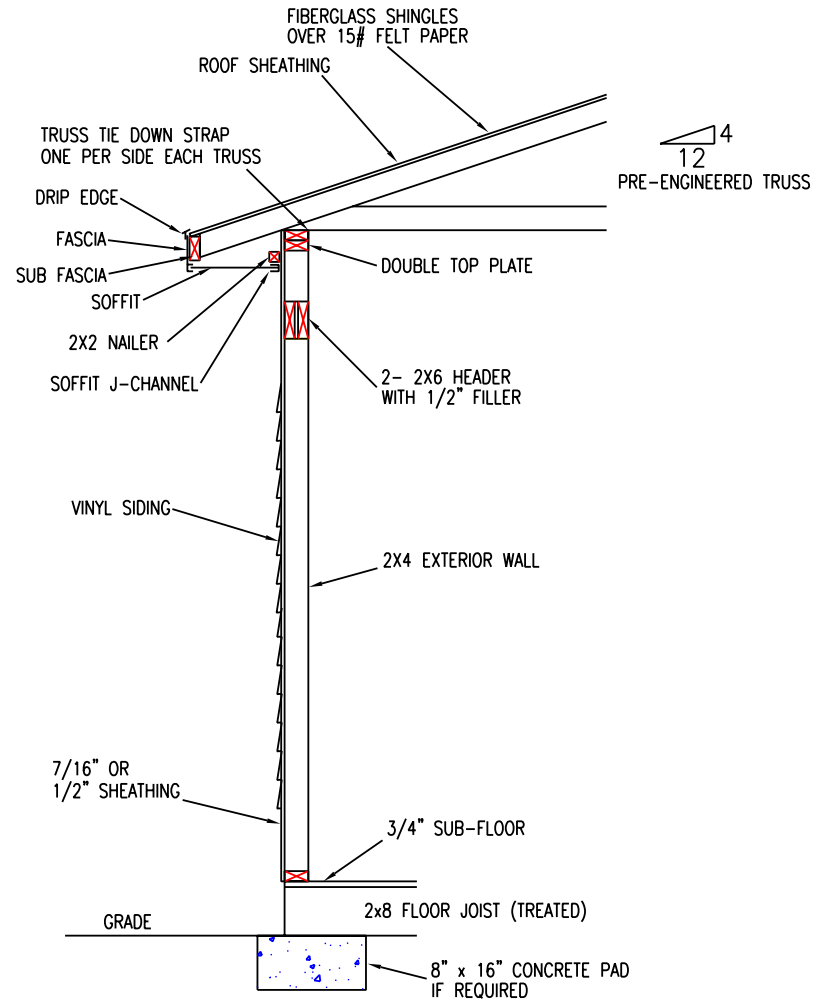
PROJECT NAME:
SAMPLE
12x16 CABIN

DRAWING TITLE:
ROOF FRAMING

DRAWING NO.
5



CONCRETE SLAB OPTION



WOOD FOUNDATION OPTION

WALL CROSS SECTION

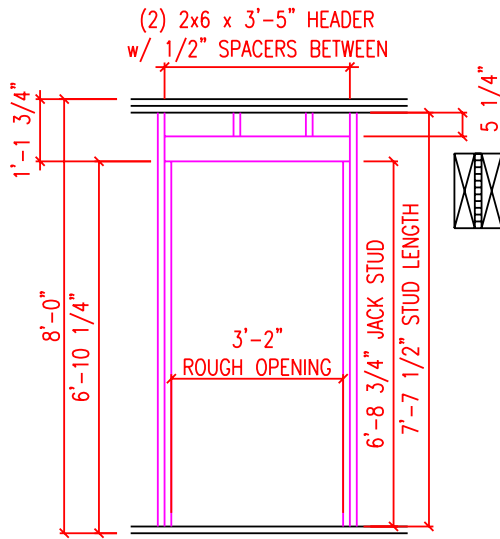
GREENLEAF DESIGNS

7455 GILBERT RD. CASS CITY, MI 48726

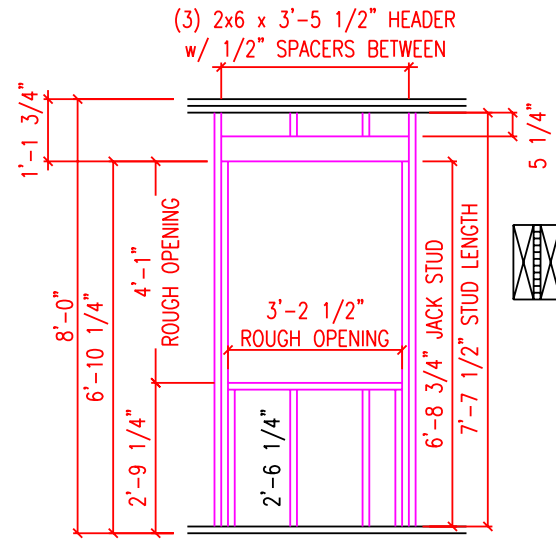
PROJECT NAME:
SAMPLE
12x16 CABIN

DRAWING TITLE:
DETAILS
CROSS SECTION

DRAWING NO.
D1



EXTERIOR DOOR
FRAMING



WINDOW
FRAMING

NOTE:
CHECK WITH MANUFACTURER ON PROPER
ROUGH OPENING DIMENSIONS.

GREENLEAF DESIGNS

7455 GILBERT RD. CASS CITY, MI 48726

PROJECT NAME:
SAMPLE
12x16 CABIN

DRAWING TITLE:
DETAILS
DOOR/WINDOW FRAMING

DRAWING NO.
D2

Tel: 989-872-5224
www.greenleaf-designs.com



7455 Gilbert Rd.
 Cass City, MI 48726

Material List for Hunting Cabin

Material	Quantity
Floor	
Joists - 2x8x12'	Check with Local Supplier For Proper Quantity Amounts
Bridging – 2x8x1'-2 1/2"	
Sub floor – 3/4" 4x8 Plywood	
Joist Hangers	
Walls	
Studs – 2x4x8'	
Top and Bottom Plate – 2x4x12'	
Sheathing – 1/2" 4x8 OSB	
Roof	
Premanufactured Trusses – 12' 4/12 Pitch	
Rakes – 2x4x8'	
Sub fascia – 2x4x12'	
Weather Guard – Roll	
Felt Paper – Roll	
Shingles - Bundles	
Truss Tie-down Straps	
Drip Edge	
Sheathing – 1/2" 4x8 OSB	
Doors	
3'-0" x 6'-8" Exterior Door	
Windows	
3'-0" x 3'-10" Window	
Finishing Materials	
Fascia	
Soffit	
F-channel	
<i>J-channel</i>	
Vinyl Siding	